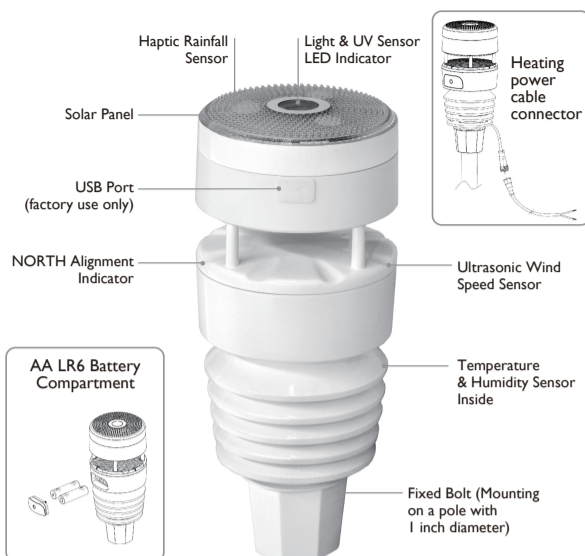


WS90 7-in-1 Weather Station

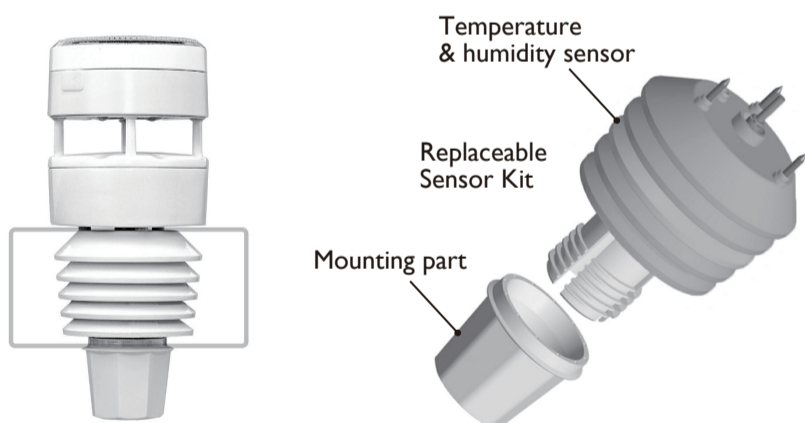
I. Compact and Built to last



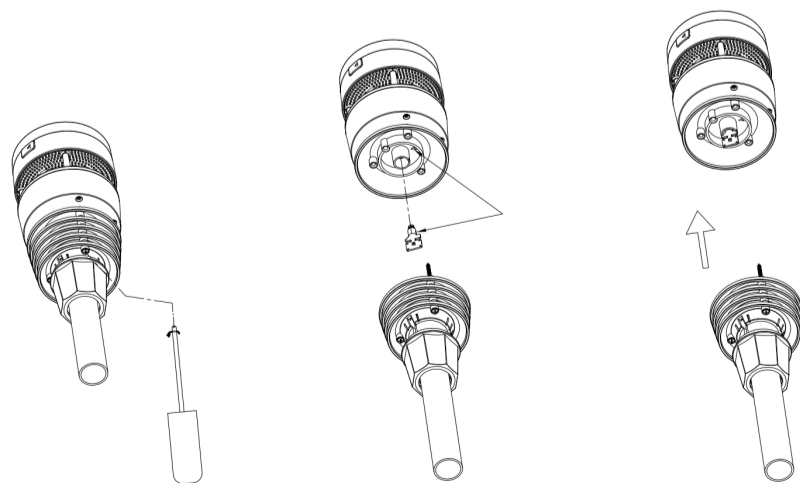
2. Feature

All-in-One Weather Station Temperature, humidity, wind direction and speed, light and UV levels		Near - Zero maintenance All-in-one weather station with no moving parts	
Dual-Power Supply Solar Power Autonomy & Backup Battery	Haptic Rainfall Sensor More accuracy with Anti-vibration design	Get Live data instantly View live data on Ecowitt app or at EcoWitt.net	Get alert emails on your own defined alert condition, mails can be triggered to notify you the alert
Supports a bundle of sensors Those already developed sensors or to be developed future sensors are all supported.	Light, compact yet robust: IPX5 install it outdoors and let it do its weather station magic	Easy integration to 3rd party With its unique data exchange protocol, it can be integrated easily with 3 rd party systems.	Easy integration to 3rd party Data can be picked up & received through Hub GW2000 in 150m range

3. Replaceable Temperature & Humidity Sensor



While compact, the entire structure of WittBoy is built to be robust and designed to withstand the test of time. The Temperature and Humidity Sensor Kit can be replaced whenever required.



1. Use screwdriver to untighten the screws of the sensor.

2. unplug the old sensor

3. Replace the old Temp & Humidity sensor with new one

4. Paired with Wi-Fi Hub GW2000



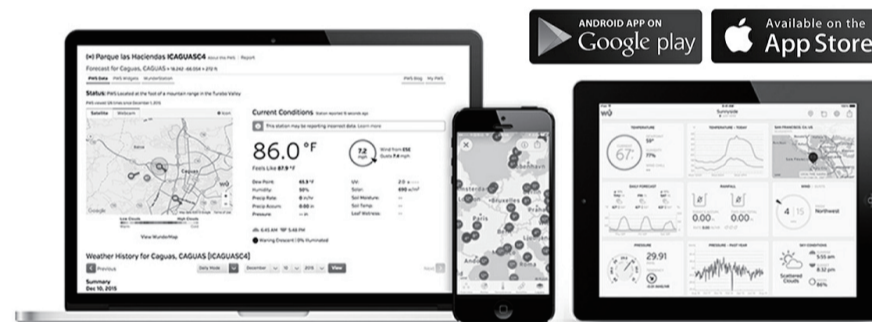
Your private weather station will pick up data of temperature, humidity, wind direction and speed, light and UV levels, as well as rainfall, and report it to you through its APP or the ecowitt.net website.



We Support



or your own defined server



Alert Email

Alert email sent upon customer defined alert condition.

View History Data on

Ecowitt APP/EcoWitt.net website

5. Specification

Measurement specification

Measurement	Range	Accuracy	Resolution
Wind sped	0~40m/s	<10m/s, +/-0.5m/s ≥10m/s, +/-5%	0.1M/S
Wind direction	0~359°	<4m/s, TBA ≥10m/s, ±10°	1°
Temperature	-40~60°C	±0.5°C	0.1°C
Humidity	1~99%	±5%	1%
Light	0~300Klux	±15%	10Klux
UVI	1~15	±2	1
Rain	0~9999	±10%	0.1mm

Power consumption

Anemometer sensor (main)	Anemometer sensor (backup)
Solar panel (built-in) 6.5V/4mA (integrated)	2 x AA 1.5V battery (not included, recommended to use Lithium none rechargeable batteries)